

# HYUNDAI MIGHTY EX6 Cab Chassis

Engine		
Type	Turbo Charger Intercooler	
Number of Cylinder	4 stroke-cycle, water-cooled, Direct-Injection Diesel Engine	
Piston Displacement (cc)	4 in-line	
Max. Power (ps/rpm)	Euro V	140/2,500 (102 kW)
Max. Torque (lb ft/rpm)	Euro V	289/1400 (392 nm)
Fuel System	Injection pump	Denso Common rail system
	Governor	Electrical type (ECU Control)
Transmission		
Type	5 Speed	
Rear Axle		
Type	Full floating type	
Capacity	kg	4,700
	Type	Single Reduction, Hypoid gear
Final Reduction Gear	G/Ratio	4.625
Front Axle		
Type	Reverse Elliot type "I" beam	
Capacity	kg	2,760
Tyre & Wheel		
Type	Single Front, Dual Rear	
Tyre	Front / Rear	205/75R17.5-10PR
Wheel	Front / Rear	17.5 x 6.00
Steering		
Type	4-spoke, Ball-nut type, Tilt & Telescopic steering column	
Steering	Power assisted	
Service Brake		
Front / Rear	Disc / Disc	
Actuation	Hydraulic with vacuum servo assistance, dual circuit	
Size (mm)	Front / Rear	Disc 107x 21.5mm
VDC	Vehicle Dynamic Control, Electronic Stability Control, Hill Start Assistance	
Parking Brake		
Actuation	Internal expanding type on propeller shaft at the rear of transmission assy	
Size (mm) Drum diameter x Lining width x Lining thickness	ø180 x 35 x 5 (M*S5 T/M) Drum diameter x Lining width x Lining thickness	
Total lining area	132 (M*S5 T/M)	
Exhaust Brake		
Type	Vacuum operated, butterfly valve type	
Suspension		
Type	Front / Rear	Semi-elliptic, laminated leaf springs
	Front	1,200 x 70 x 10t-4, 11t-1
	Rear / Main	1,250 x 70 x 10t-4, 11t-1
	Rear / Helper	990 x 70 x 17t-2
Shock absorber	Air double acting telescopic type on the FRONT/REAR axle	
Exhaust system		
General	Conventional (horizontal) type muffler	
Tail pipe	Droptail type, blowing to chassis rearward	
Fuel tank		
Capacity	100ℓ	
Frame		
Type	"H" type frame with channel sectional side rail & cross members, side rail is reinforced with outer stiffeners	
Main section side rail dimension (mm)	Depth x Flange x Thickness 183 x 60 x 6t	
Weights		
*Chassis cab weight kg	Range	2650-2850
	Front / Rear	1,750-1850/870-950
** Max Gross Vehicle Weight	5,995/6,500	
Gross vehicle weight	Front / Rear	2700/4700



EX6

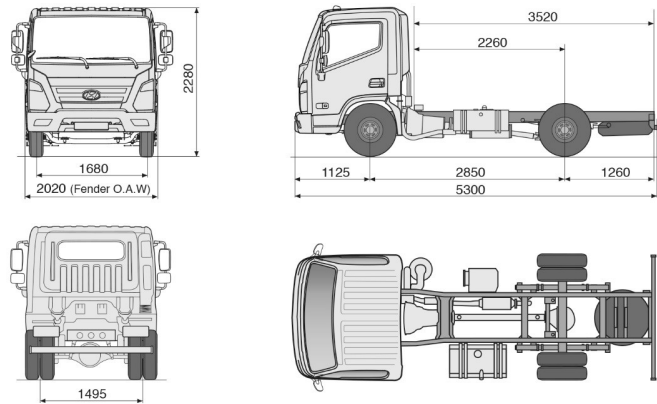
Electrical system	
Audio	T800 (Radio+Aux+CDP/MP3+USB/IPOD) Multidisplay
Locking	Central Door Locking + Power Window + Keyless Entry + Semi Trim
Head lamps	Semi-sealed Beam
Front combination lamps	Turn signal / Hazard-Amber, Position - White
Fog lamps	White
Rear combination lamps	Turn signal / Hazard-Amber, Tail / Stop - Red
License plate lamp	White
Service Lamp Circuit	Yes
Back-up lamp	White
Instruments	
Meter Cluster	Fixed type
Meter	Speedometer / Tachometer / Fuel gauge / Water temperature gauge LCD with odometer / Trip meter / Clock
Warning lamps & indicators	Brake fluid level of reservoir / Parking brake / Oil pressure / Battery charge / Tell-tale lights for head light high beam / Turn signals / Door open / Seat belt / Low fuel
Horn	Single, Electric type
Cruise control	Yes
Heating/ Air conditioning (Manual)	Yes
Body / Cab	
Type Mounting	Tilt type with torsion bars, all steel welded construction with safety zone design Rigid or Semi floating type
Windshield	One piece type with laminated glass, tinted upper section
Windshield Wipers	Dual electric three speed (intermittent / low / fast) wipers & washer
Mirrors	Wide Width Mirror - Heated
Driver's Seat	Coil Suspension, urethane foam cushioned STD trim
Passenger's seat	Bench seat, STD Trim
Bumper	Body colour
Warranty	
3 year/ 150,000km (Which ever occurs first)	Manufacturer's warranty

#### Annotations

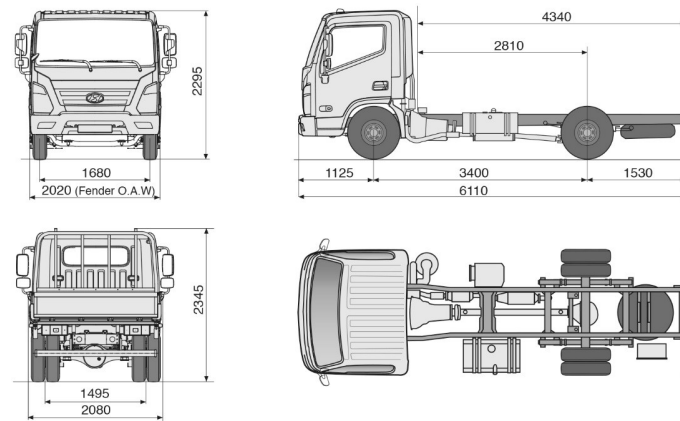
- 1) Empty vehicle weight and curb weight shown are to 3.5% variation to allow for production tolerance.
  - 2) Empty vehicle weight and curb weight include weight of oil, fuel, coolant and spare tire carrier & bracket, spare tire but exclude standard tool set
  - 3) The vehicle specifications may differ per country.
  - 4) Hyundai New Zealand reserves the right to alter the specifications, equipment or options or discontinue the models at any time without prior notice.
- \* Approximate, depending on variant and specification  
 \*\* Max. GVW includes the front & rear axle loads based on the permissible tyre load, 5,995 & 6,500 variants

# HYUNDAI MIGHTY EX6 Cab Chassis

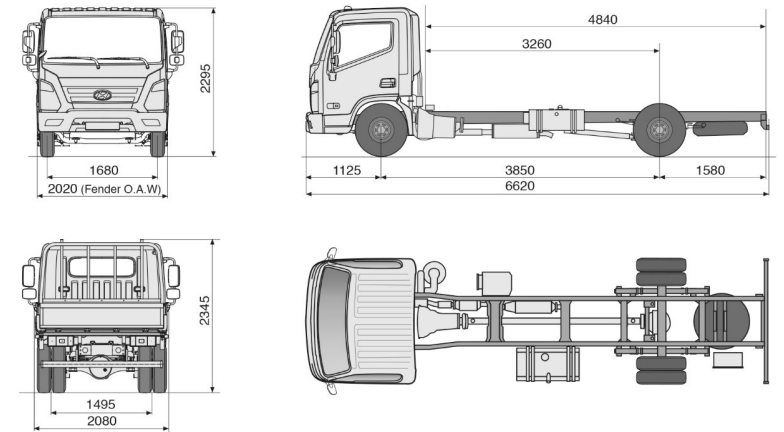
EX6 Std Cab Short Wheelbase



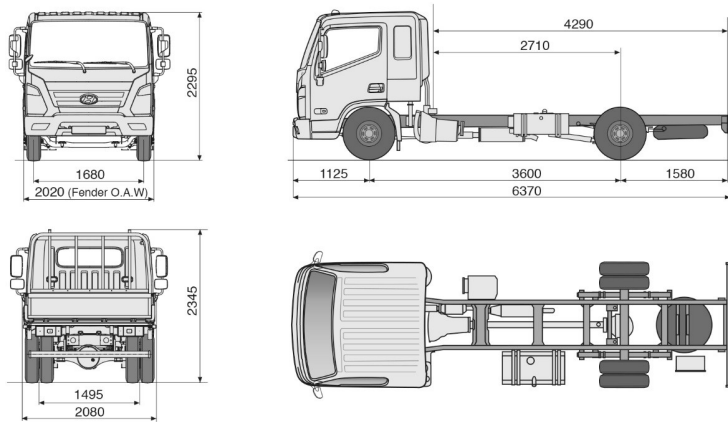
EX6 Std Cab Medium Wheelbase



EX6 Std Cab Long Wheelbase



EX6 Super Cab Medium Wheelbase



EX6 Std Super Cab Long Wheelbase

