



# QUON

## CG32-460 8x4



### SPECIFICATIONS

<b>Power:</b>	GH11TD - 338 kW (460 PS) @ 1800 rpm
<b>Torque:</b>	GH11TD - 2200 Nm (1623 lb.ft) @ 1200 rpm
<b>Transmission:</b>	ESCOT-VI automated manual transmission (AMT)
<b>Rear Suspension:</b>	Leaf spring or electronically controlled air suspension
<b>Wheelbase:</b>	Refer weights and dimensions table
<b>GVM:</b>	32,000 kg
<b>GCM:</b>	60,000 kg

Note: CG 32 460 shown may not be representative of actual vehicle.

### QUON UNIQUE FEATURES



**SMART FUEL EFFICIENCY AND RESPECT FOR THE ENVIRONMENT**  
GH11 engine: fuel efficient, powerful and clean.



**SMART UPTIME**  
Quon has been designed to further optimise uptime, with superior reliability and increased maintenance intervals.



**SMART SAFETY**  
Active safety with mechanical and electronic features throughout.



**SMART PRODUCTIVITY**  
Light weight chassis helping to maximise payload.



**SMART DRIVABILITY**  
The cabin has been designed with the user's comfort in mind, with outstanding ergonomics and visibility allowing the driver to concentrate on driving.

## GENERAL SPECIFICATIONS

### SAFETY

**Passive Safety:** Highly rigid cabin  
Side door beams  
Front underrun protection system (FUPS)  
SRS driver steering wheel airbag  
Driver side seat belt with pre-tensioner  
Steering wheel & column with impact absorption function

**Active Safety:** Traffic Eye Brake System  
Traffic Eye Cruise Control  
LDWS (Lane Departure Warning System)  
Electronic Stability Control (UDSC)

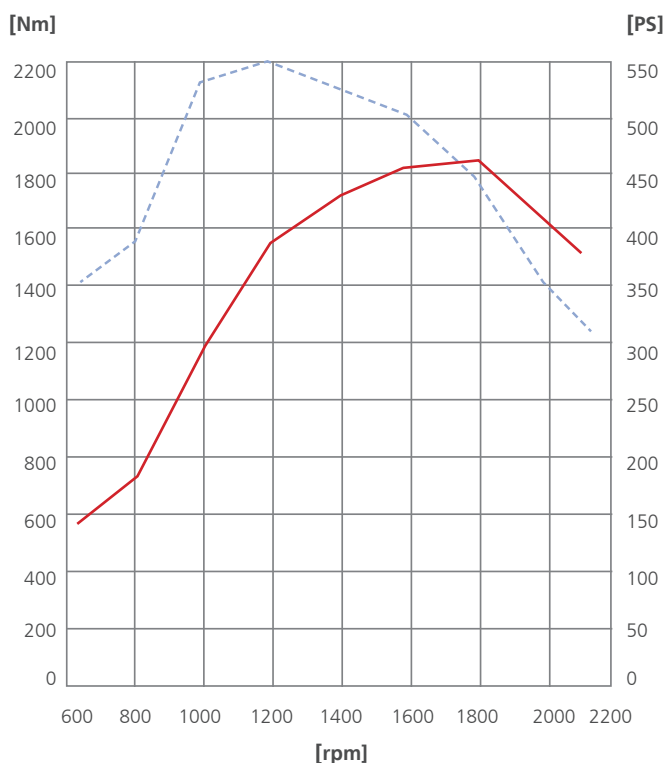
**Basic Safety:** LED Headlamps  
Disc brakes  
Anti Locking Brake System  
Emergency Braking System  
UD Extra Engine Braking (UD EEB)  
Safe Brake Blending  
Immobiliser  
Two-step entry & exit

### ENGINE

**Model:** GH11TD  
**Description:** 6 cylinder, 4 stroke diesel engine  
**Displacement:** 10,837 cc  
**Bore x stroke:** 123 mm x 152 mm  
**Compression ratio:** 17.5:1  
**Max. governed engine speed:** 2,100 rpm

## GH11TD460PS

**338kW(460PS) / 1,800rpm**  
**2,200Nm(2200Nm (1623lb ft) / 1200rpm**



### FUEL AND INTAKE SYSTEM

**Fuel capacity:** 400 litres  
**Injection type:** High pressure common rail direct fuel injection system  
**Filtration:** Chassis mounted primary filter and engine mounted secondary filter

### EMISSION CONTROL

**Emission standard:** pPNLT (equivalent to Euro 6 emission requirements)  
**Adblue capacity:** 5200mm & 5700mm WB - 50 litres  
**Exhaust system:** RHS chassis mounted box muffler

### ELECTRICAL

**Power:** 24 volt, negative ground system  
**Battery capacity:** 2 x 12 volt 165 Ah batteries  
**Alternator:** 150 amp

### TRANSMISSION

**Make:** UD Trucks  
**Model:** ESCOT-VI (AT02612F)  
**Description:** Automated manual transmission (AMT)  
12 forward & 2 reverse gears  
**Shift type:** Electronic shifter with fully automatic or manual control  
**Gear ratios:**

1 <sup>st</sup>	11.73	7 <sup>th</sup>	2.70
2 <sup>nd</sup>	9.21	8 <sup>th</sup>	2.12
3 <sup>rd</sup>	7.09	9 <sup>th</sup>	1.63
4 <sup>th</sup>	5.57	10 <sup>th</sup>	1.28
5 <sup>th</sup>	4.35	11 <sup>th</sup>	1.00
6 <sup>th</sup>	3.41	12 <sup>th</sup>	0.78
Rev 1	13.73	Rev 2	10.78

**PTO capacity:** 500 Nm @ 103% or 81% (PTR-FH6)  
1000 Nm @ 115% or 90% (PTR-D)

### FRONT AXLE AND SUSPENSION SYSTEM

**Ground capacity:** 13,000 kg  
**Axle type:** Reverse Elliot I-Beam  
**Suspension:** Parabolic leaf spring with shock absorbers  
**Spring dimensions:** 90mm x 1460mm  
**Spring constant:** 347.7 N/mm

### REAR AXLE AND SUSPENSION SYSTEM

**Ground capacity:** 20,000 kg  
**Axle type / model:** Single reduction, hypoid gear, with cross locks  
**Final reduction ratio:** 4.13 air, 4.50 leaf  
**LEAF SUSPENSION:** Multi-leaf spring suspension, with rubber cushions  
**Description:** 75mm x 1380mm  
**Leaf dimensions:**  
**AIR SUSPENSION:** 8 air bag  
**Description:** 2 telescopic double acting  
**Shock absorbers:** Electronic Controlled Air Suspension with remote control mounted in cab (ECAS4)  
**Control system:**

<b>BRAKES</b>		<b>Side windows:</b>	Power operated door glass
<b>Type:</b>	Electronic braking system (EBS) with disc brakes	<b>Security:</b>	Remote central locking with immobiliser
<b>Front/Rear:</b>	430 mm rotors / 430 mm rotors	<b>Air conditioning:</b>	Fully automatic climate controlled airconditioning with recirculation filter
<b>Park brakes:</b>	Hand-operated pneumatic spring park brake on drive axles	<b>Multimedia unit:</b>	Touchscreen CD/DVD player with truck specific satellite navigation, digital radio USB port, auxiliary port, micro SD slot, bluetooth.
<b>Auxiliary brake:</b>	Exhaust plus engine compression type (EEB)	<b>Storage:</b>	Multiple in-cab compartments
<b>Trailer connections:</b>	Air and electrical connections to rear of chassis	<b>Power outlet:</b>	24 volt 240W & 12 volt 120W in dash
<b>STEERING</b>		<b>DIN accessory fitment:</b>	Two DIN sized compartments
<b>Type:</b>	Recirculating ball and screw with hydraulic assist	<b>Floor covering:</b>	Vinyl
<b>Steering gear ratio:</b>	24.1 - 26.8 : 1	<b>EXTERNAL CABIN</b>	
<b>Column:</b>	Adjustable, tilt and telescopic control	<b>Cab Description:</b>	Forward control, pressed steel construction
<b>Steering wheel:</b>	460 mm diameter with ignition key steering lock	<b>Mounting type:</b>	Full floating, 4 bag air suspended cab with 4 dual acting shock absorbers and dual automatic height control valves.
<b>WHEELS &amp; TYRES</b>		<b>Cab paint:</b>	Standard – W33 "Jumping White"
<b>Wheels:</b>	8.25in X 22.5in rim with 165mm offset and ISO 10 stud pattern (335mm PCD)	<b>Inspection points:</b>	Back of the cab and front panel
<b>Front tyres Leaf sus:</b>	295/80 R22.5 Bridgestone	<b>Bumper type:</b>	3 piece with steel corner panels
<b>Rear tyres Leaf sus:</b>	11R 22.5 Bridgestone	<b>Mirrors:</b>	Heated and electrically operated main mirrors with flat glass, wide vision and passenger-side downward facing spot mirrors
<b>Front tyres Air sus:</b>	275/70 22.5 Bridgestone	<b>Lamps:</b>	LED head lamps (low beam) Bumper mounted fog lamps Roof mounted clearance lights
<b>Rear tyres Air sus:</b>	275/70 22.5 Bridgestone	<b>Wipers:</b>	Triple arm, 2 speed wipers with variable intermittent operation and integrated washers
<b>FRAME</b>		<b>Reversing system:</b>	Reverse beeper and digital infrared camera with microphone
<b>Width:</b>	850 mm	<b>DEALER FIT OPTIONAL EQUIPMENT</b>	
<b>Side rail dimensions:</b>	300 mm x 90 mm x 8 mm	<b>Wheels:</b>	Alcoa aluminium wheels
<b>Material:</b>	Rolled high tensile carbon steel	<b>Rear engine PTO:</b>	DIN 5462 or Flange SAE1410; 650 Nm capacity
<b>Tensile strength:</b>	600MPa / max stress for frame - 80.6 MPa		
<b>STANDARD DRIVER AIDS</b>			
<b>Warning systems:</b>	Visual warning lamps with audible warning tones, plus written warnings displayed on LCD screen		
<b>Driver assistance:</b>	Driver information including: date, time, oil pressure, voltmeter, trip information Electronic stalk mounted cruise control GPS satellite navigation with HERE® truck mapping		
<b>INTERNAL CABIN</b>			
<b>Lighting:</b>	Dual ON/OFF/DOOR interior lights Interior neon cabin lamp		
<b>Seating capacity:</b>	Two		
<b>Driver's seat:</b>	Air-suspended seat with adjustable shock absorber, recliner, height control, armrest & lumbar adjustment		
<b>Passenger seat/s:</b>	Assistant seat with adjustable head rest		
<b>Sleeping capability:</b>	ADR 42/04 compliant sleeper bunk with mattress		

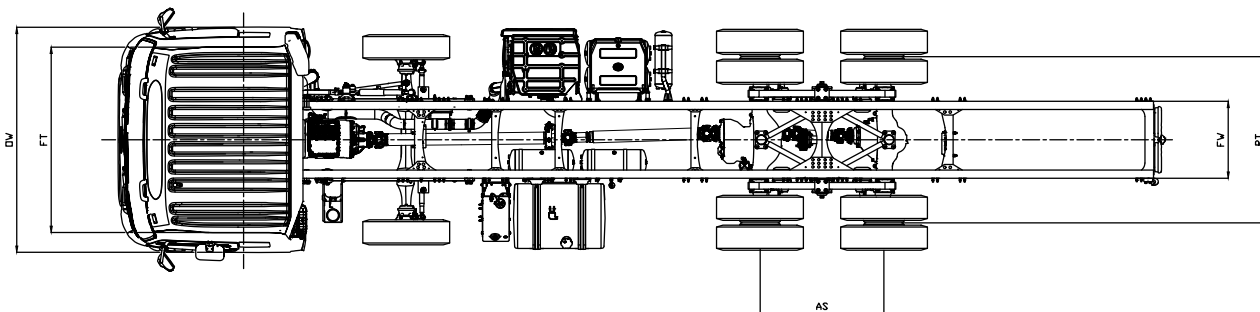
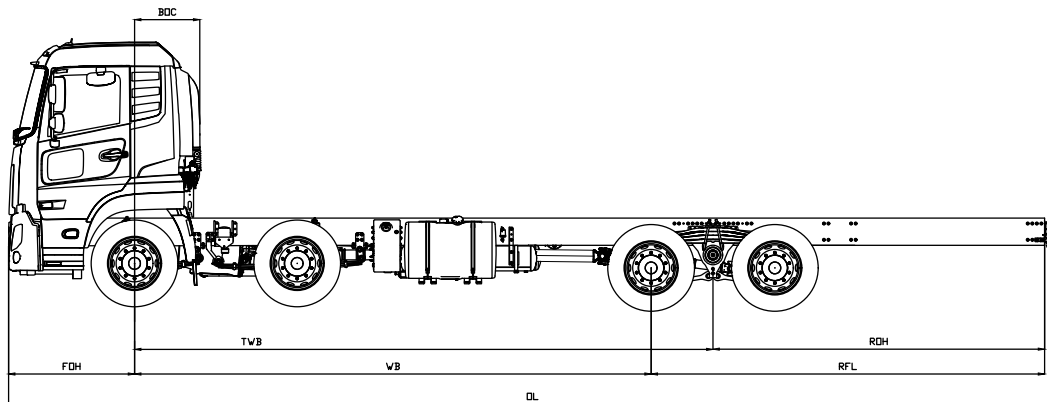
# WEIGHTS AND DIMENSIONS (approx.)

Variant	Model	WB Code	GVM	GCM	Front Tare	Rare Tare	Total Tare	WB	TWB	OL	OW	OH	FT	RT	FW	AS	FOH	ROH	RFL	BOC	CA	GC	FHF	FHR
Air	CG32460TAA	T	32000	60000	5670	2960	8630	5200	5885	9917	2490	2945	2044	1833	850	1370	1392	2510	3195	735	4466	210	1020	1030
Leaf	CG32460VAL	V			5830	3340	9170	5700	6385	11566	3000	3000	2945	2044	850	1370	1392	3660	4345		4965	249	1060	1100

Rated GVM and axle capacities are subject to legal requirements.

Mass is an estimation only based on standard model, 50 litres Diesel fuel, full AdBlue, excludes driver and tools.

Based on vehicle with standard wheels and tyres.



## WARRANTY

Standard Warranty - Refer to Warranty Schedule